

I Application

Butterfly valves, whether manually or automatically operated, can be used in most liquid product applications in the food-processing, pharmaceutical and chemical industries.

I Operating principle

The butterfly valve can be operated automatically through an actuator or manually with a handle.

The handle blocks the valve in the "open" or "closed" position, although there are also other models with intermediate positions.

The actuator transforms the axial movement of the piston into a 90° rotary movement which it transmits to the disc.

I Design and features

Compact and robust design.

Multi-position handle as standard feature for valves up to 4".

Two-position handle as standard feature for valves starting from 4".

Several models of easily interchangeable manual handles and pneumatic or electric actuators.

Low pressure losses.

Body halves interchangeable with any connection type.

Standard connections: Clamp.

Traceability of components.

I Materials

| | |
|-------------------------|--------------------------------|
| Disc and body halves | AISI 316L (forged) |
| Handle | AISI 304 / PP |
| Other st. st. parts | AISI 304 |
| Gasket | EPDM according to FDA 177.2600 |
| Internal surface finish | Ra ≤ 0,8 µm |
| External surface finish | Machined |

I Options

Valve in AISI 304L.

Gaskets: NBR, VMQ or FPM.

Connections: weld, DIN, SMS, RJT, FIL-IDF, etc.

Two sizes for multi-position handle.

Handles: two-position, lever, micrometric, with safety lock, etc.

Electric actuator or single- or double-acting actuator, the size is determined by the operating torque of the valve.

Electro-pneumatic positioner.

Inductive position sensors.

C-TOP control unit (inductive position sensors or microswitches).

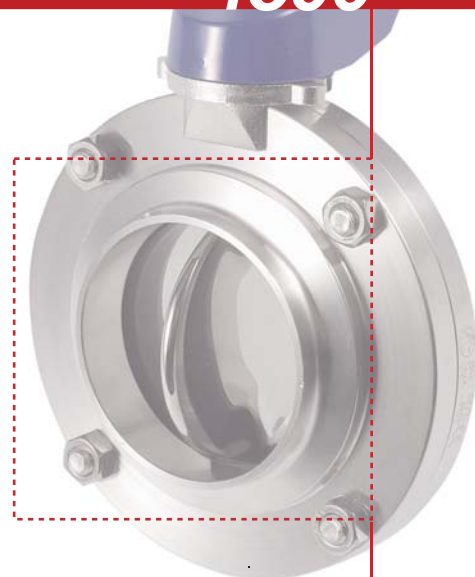
ATEX version available.



I Technical specifications

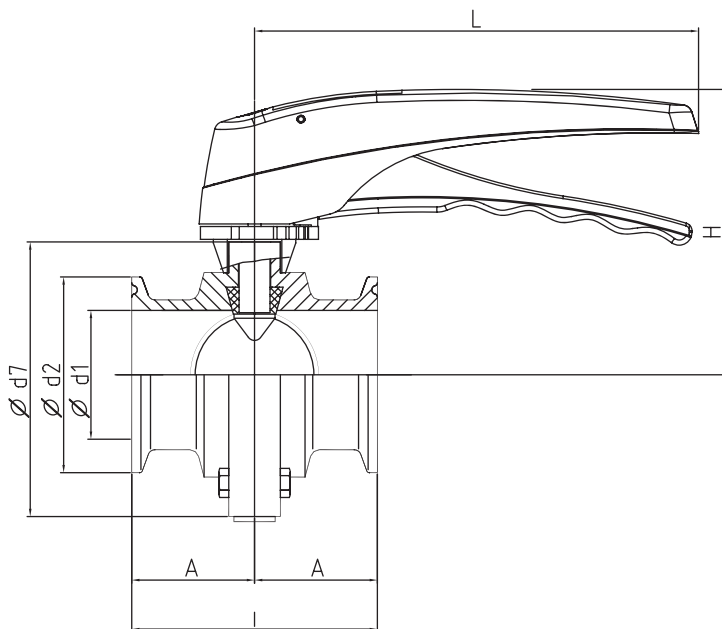
Available sizes DN ½" - DN 8"
 Max. working temperature -14 °F to 248 °F
 284 °F
 Min. working pressure 3 PSI (P.abs)
 Max. working pressure 145 PSI (DN ½" - DN 4") ⁽¹⁾
 116 PSI (DN 5" - DN 6") ⁽²⁾
 72,5 PSI (DN 8") ⁽²⁾

Note (1): Classified according to Directive 97/23/CE as Category I valves for use with fluids of Group 1
 Note (2): Classified according to Directive 97/23/CE as Category I valves for use with fluids of Group 2



| | ½" | ¾" | 1" | 1½" | 2" | 2½" | 3" | 4" | 5" | 6" | 8" |
|---------------------------------|----|----|----|-----|----|-----|----|----|----|----|----|
| OPERATING TORQUE (Lb.ft) | 4 | 4 | 6 | 7 | 10 | 11 | 13 | 18 | 41 | 52 | 66 |

Test pressure 145 PSI



| DN | Ø d1 | Ø d2 | d7 | A | I | H | L |
|-------------------|------|------|------|------|------|------|-------|
| ½" ⁽¹⁾ | 0,37 | 1 | 2,44 | 1,10 | 2,20 | 3,5 | 4,53 |
| ¾" ⁽¹⁾ | 0,62 | 1 | 2,44 | 1,10 | 2,20 | 3,5 | |
| 1" ⁽¹⁾ | 0,87 | 2 | 3,43 | 1,26 | 2,52 | 4 | |
| 1½" | 1,37 | 2 | 3,82 | 1,42 | 2,84 | 4,19 | 6,69 |
| 2" | 1,87 | 2,52 | 4,33 | 1,42 | 2,84 | 4,53 | |
| 2 ½" | 2,37 | 3,05 | 4,65 | 1,50 | 3 | 4,61 | |
| 3" | 2,87 | 3,58 | 5,16 | 1,50 | 3 | 4,92 | |
| 4" | 3,83 | 4,70 | 6,38 | 1,85 | 3,70 | 5,63 | 10,63 |
| 5" ⁽²⁾ | 4,84 | 5,70 | 7,52 | 2,20 | 4,40 | 5,85 | |
| 6" ⁽²⁾ | 5,78 | 6,54 | 9,45 | 2,6 | 5,2 | 7,09 | |
| 8" ⁽²⁾ | 7,77 | 8,60 | 11,8 | 2,1 | 4,2 | 8,07 | |

(1) Mini handle
 (2) Two-position handle

